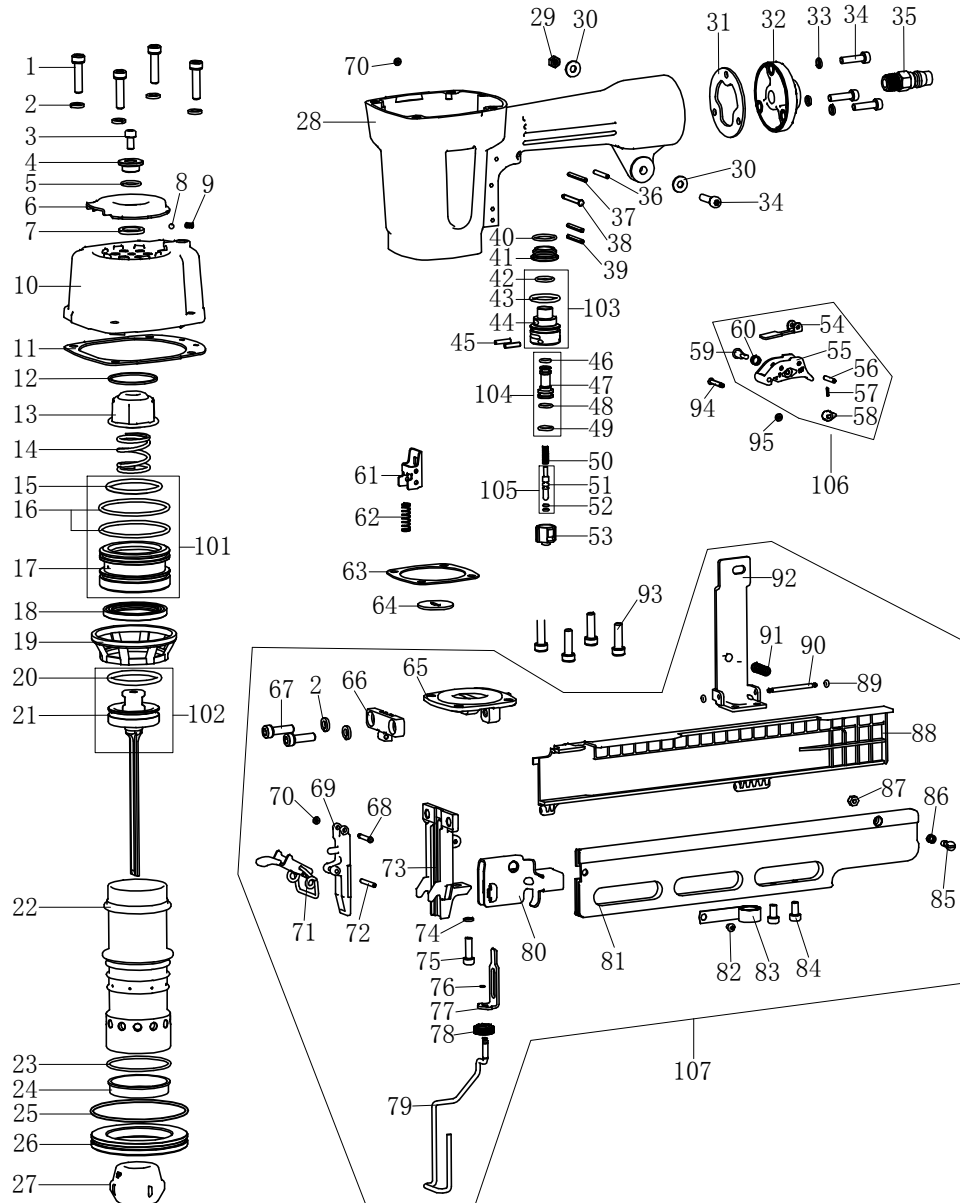


EXPLODED VIEW AND PARTS LIST

MODEL:MT-N851-H



ITEM NO.	PART NO.	PART NAME	Q' TY	ITEM NO.	PART NO.	PART NAME	Q' TY
1	B01-01-060250-02	SCREW	4	53	AA42A-041A	THIMBLE COVER	1
2	B04-01-060-02	SPRING WASHER	6	54	AN03A-030A	TRIGGER PIECE	1
3	B01-02-060120-02	SCREW	1	55	AN03A-031A	TRIGGER	1
4	AN03A-005A	EAHAUST COVER HOLDER	1	56	B02-030160-02	ROLL PIN	1
5	B08-013000180	O-RING	1	57	B02-015060-02	ROLL PIN	1
6	AN03A-007A	EAHAUST COVER	1	58	AN03A-033A	ADJUSTER KNOB	1
7	AN03A-006A	RUBBER SHIN	1	59	AN03A-032A	ADJUSTER	1
8	AA02A-030A	STEEL BALL	1	60	AN03A-034A	SPING	1
9	AN03A-008A	SPING	1	61	AN03A-027A	SAFETY ORIENT	1
10	AN03A-Y06A1	CYLINDER CAP	1	62	AN03A-045A	SPING	1
11	AN03A-003A	CYLINDER CAP SHIM	1	63	AN03A-004A	MUZZEL BASE SHIM	1
12	AN03A-011A	GASKER	1	64	AN03A-037A	GAG	1
13	AN03A-009A	AIRPROOF CUSHION	1	65	AN03A-029A	MUZZEL BASE	1
14	AN03A-010A	SPING	1	66	AN03A-039A	MUZZEL OPPRESSOR	1
▲15	B08-039200300	O-RING	1	67	B01-01-060200-02	SCREW	2
▲16	B08-052070262	O-RING	2	68	AN03A-043A	FIN	1
17	AN03A-012A	ACTIVE VALVE	1	69	AN03A-022A	MUZZEL COVER	1
18	AN03A-013A	ACTIVE VALVE SHIM	1	70	AA12C-006A	RUBBER JACKER	2
19	AN03A-018A	RETAINER RING	1	▲71	AN03A-Y15A1	MUZZEL FASTEN SET	1
▲20	B08-036100353	O-RING	1	72	B02-030220-02	ROLL PIN	1
▲21	AN03A-Y04A1	DRIVER	1	73	AN03A-023A	MUZZEL	1
22	AN03A-015A	CYLINDER	1	74	B04-01-050-02	SPRING WASHER	1
23	B08-048000250	O-RING	1	75	B01-01-050160-02	SCREW	1
24	AN03A-016A	UNILATERAL RINGER	1	76	AN03A-052A	RING	1
25	B08-074000200	O-RING	1	77	AN03A-025A	SAFETY MANDRIL	1
26	AN03A-017A	CYLINDER RING	1	▲78	AN03A-026A	SAFETY ADJUSTER	1
▲27	AN03A-019A	BUMPER	1	79	AN03A-024A	SAFETY	1
28	AN03A-002A	BODY	1	80	AN03A-044A	PUSHER	1
29	B07-01-050-00	NUT	1	81	AN03A-Y16A1	NAIL ORIENT	1
30	B04-02-050-02	FLAT WASHER	2	82	B01-06-040050-02-NL	SCREW	1
31	AN03A-021A	TAIL CAP SHIM	1	▲83	AN03A-038A	WINDING SPRING	1
32	AN03A-020A	TAIL CAP	1	84	B01-01-050100-02	SCREW	2
33	B04-01-050-02	NUT	3	85	AN03A-050A	SHUTOFF	1
34	B01-01-050200-02	SCREW	4	86	AN03A-051A	SPING	1
35	AA06A-018A	AIR HOSE CONNECTOR	1	87	B07-01-040-00	NUT	1
36	B02-030220-02	ROLL PIN	1	88	AN03A-046A	NAIL PROTECTOR	1
37	B02-030280-02	ROLL PIN	1	89	B08-002000200	O-RING	2
38	AN03A-053A	TRIGGER PIN	1	90	AN03A-047A	FIN	1
39	B02-030240-02	ROLL PIN	2	91	AN03A-049A	SPING	1
40	B08-016000180	O-RING	1	92	AN03A-028A	LINK	1
41	AA40A-039A	VALVE COVER	1	93	B01-01-060200-02-NL	SCREW	4
42	B08-011800180	O-RING	1	94	AN03A-054A	FIN	1
43	B08-019600240	O-RING	1	95	AA12C-006A	RUBBER JACKER	1
44	AA42A-042A	VALVE	1				
45	AA42A-043A	VALVE FIN	2	101	AN03A-Y01A1	ACTIVE VALVE set	
46	B08-005800190-10	O-RING	1	102	AN03A-Y02A1	DRIVER SET	
47	AA17D-006A	VALVE PISTON	1	103	AA42A-Y04A1	VALVE SET	
48	B08-005800190	O-RING	1	104	AA17D-Y05A1	VALVE PISTON SET	
49	B08-008800190	O-RING	1	105	AN03A-Y13A1	THIMBLE SET	
50	AA40A-062A	SPING	1	106	AN03A-Y09A1	TRIGGER SET	
▲51	AN03A-035A	THIMBLE	1	107	AN03A-Y11A1	MAGAZINE SET	
52	B08-002500140-02	O-RING	2				